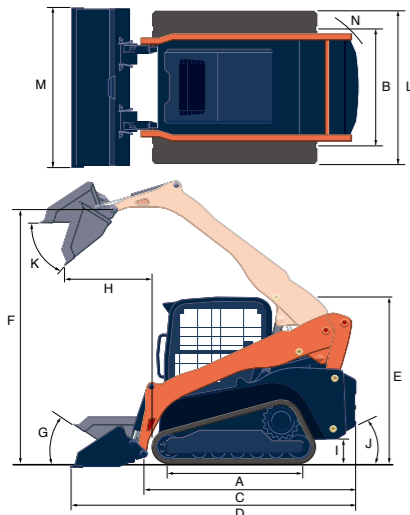


## Specifications

Model		SVL65-2		
Type of operator station		Closed CAB		
Engine	Model	V2607-CR-TE4		
	Output (SAE J1995 gross)	HP (kW)/rpm	68.4 (51.0) / 2600	
	Output (SAE J1349 net)	HP (kW)/rpm	62.5 (46.6) / 2600 / 59.9 (44.7) / 2600	
	Displacement	cc	2615	
	Cylinders		4	
	Bore × Stroke	mm	87 × 110	
	Aspiration		Turbocharged	
Loader Performance	Rated operating capacity-35% tipping load		kg	953
	Rated operating capacity-50% tipping load		kg	1361
	Tipping load		kg	2722
	Breakout force	Bucket	kg	2093
		Lift arm	kg	1935
	Lift arm path			Vertical
Undercarriage	Track Width	Standard	mm	320
		Wide	mm	380
	Ground pressure	Standard	psi	5.0
		Wide	psi	4.4
	Track rollers (per side)			4
	Track ground contact length		mm	1470
	Travel speed	Low	km/h	7.8
		High	km/h	11.5
Traction force		kgf	3813	
Min. ground clearance		mm	233	
Hydraulic system	Aux. hydraulic flow	Std./High Flow	ℓ/min.	65.8 / 102.2
	Aux. hydraulic pressure		kgf/cm <sup>2</sup>	229.4
Service refill capacities	Hydraulic system		ℓ	50
	Hydraulic tank		ℓ	20.3
	Gas tank		ℓ	82
Operating weight (Includes operator weight 75 kg)		kg	3915	

## Dimensions



Model	SVL65-2		
A	Length of track on ground	mm	1470
B	Track gauge	mm	1337
C	Length w/o bucket	mm	2725
D	Length w/bucket on ground	mm	3465
E	Height to top of cab	mm	2029
F	Bucket hinge pin height at max. lift	mm	3010
G	Rollback angle at carry position	degree	30
H	Reach at max. lift and dump	mm	886
I	Ground clearance	mm	233
J	Departure angle	degree	30
K	Max. dump angle	degree	40
L	Vehicle width Standard track / Wide track	mm	1657 / 1717
M	Width with bucket	mm	1727 / 1880
N	Turning radius from center-machine rear	mm	1451

The company reserves the right to change the above specifications without notice. This brochure is for descriptive purposes only. Please contact your local Kubota dealer for warranty information.



©2022 Kubota Corporation

### Kubota Australia Pty Ltd

25-29 Permas Way, Truganina VIC, 3029 Australia  
 Freecall: 1800-334-653  
 Email: sales@kubota.com.au

Web Site: <http://www.kubota.com.au>

### Kubota New Zealand Limited

433 Rangitikei Street, Cloverlea, Palmerston North, 4412  
 New Zealand  
 Freecall: 0800-582-682  
 Email: sales@kubota.com.au

Web Site: <http://www.kubota.co.nz>

**Kubota  
 Genuine Parts**  
 for maximum  
 performance,  
 durability and  
 safety



For Earth, For Life  
**Kubota**

# SVL

## KUBOTA COMPACT TRACK LOADER SVL65-2

Kubota's powerful and productive Compact Track Loader for those big jobs in small places.

